

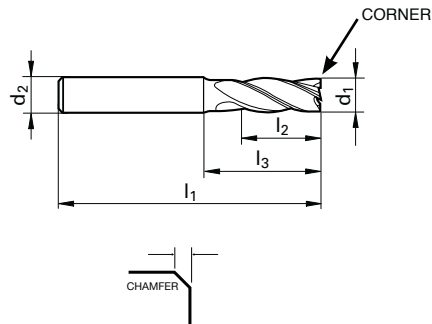
# RF 100 H 4-Flute

Variable helix, TiALN coated

| Includes Series |  |
|-----------------|--|
| METRIC          |  |
| 3895            |  |
| 3896            |  |



|                 |            |
|-----------------|------------|
| TYPE            | <b>H</b>   |
| HELIX ANGLE     | 40°<br>42° |
| NUMBER of TEETH | 4          |



d<sub>1</sub> tolerance h10  
d<sub>2</sub> tolerance h6  
See table on page 150

| Diameter | Shank Diameter | OAL | LOC | Reach | Corner | HA            |               | HB            |               |
|----------|----------------|-----|-----|-------|--------|---------------|---------------|---------------|---------------|
|          |                |     |     |       |        | EDP No.       | Series Number | EDP No.       | Series Number |
| 6.0      | 6.0            | 57  | 13  | 21    | 0.20   | 9038950060000 | 3895          | 9038960060000 | 3896          |
| 8.0      | 8.0            | 63  | 19  | 27    | 0.25   | 9038950080000 | 3895          | 9038960080000 | 3896          |
| 10.0     | 10.0           | 72  | 22  | 32    | 0.30   | 9038950100000 | 3895          | 9038960100000 | 3896          |
| 12.0     | 12.0           | 83  | 26  | 38    | 0.35   | 9038950120000 | 3895          | 9038960120000 | 3896          |
| 16.0     | 16.0           | 92  | 32  | 44    | 0.50   | 9038950160000 | 3895          | 9038960160000 | 3896          |
| 20.0     | 20.0           | 104 | 38  | 54    | 0.60   | 9038950200000 | 3895          | 9038960200000 | 3896          |

\* Indicates reduced neck style